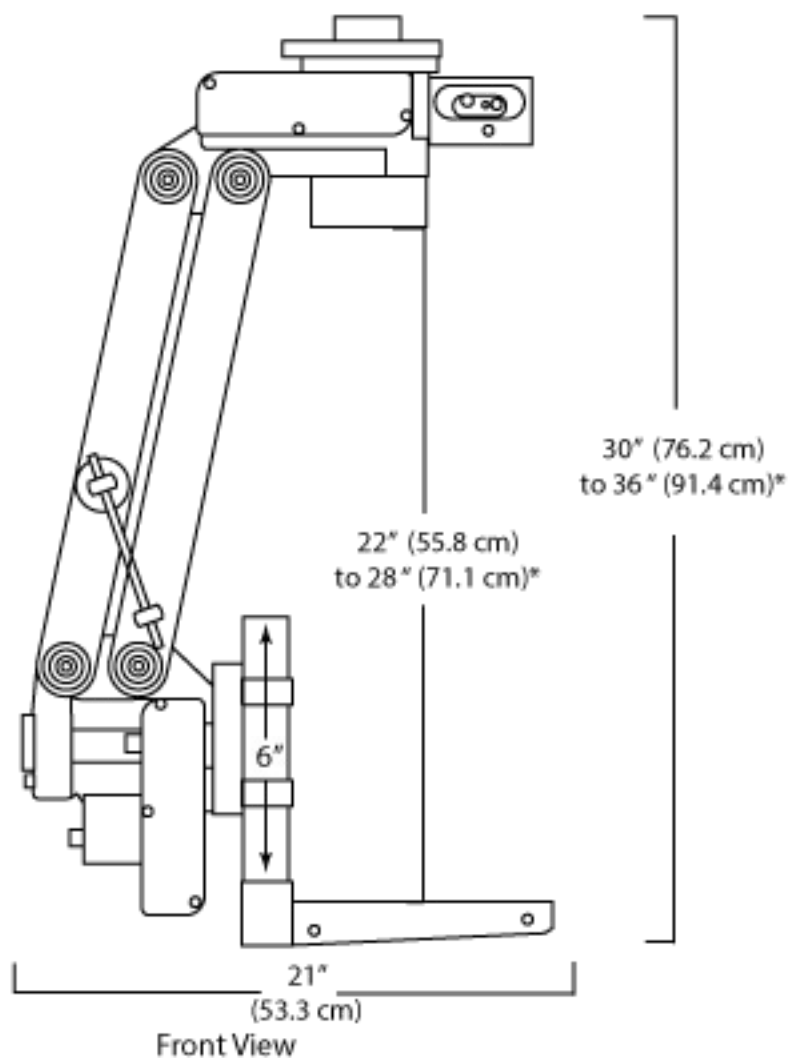


CHAPMAN G2

2 Axis Head

(Cables Removed for Clarity)



*NOTE: SPECIAL CL G-3 CHEESE PLATE WILL ADD 3" OF ADJUSTMENT IN HEIGHT AS WELL AS EXTEND MOUNT PLATE 21" (53.3 cm) ALLOWING UNLIMITED CLEARANCES.