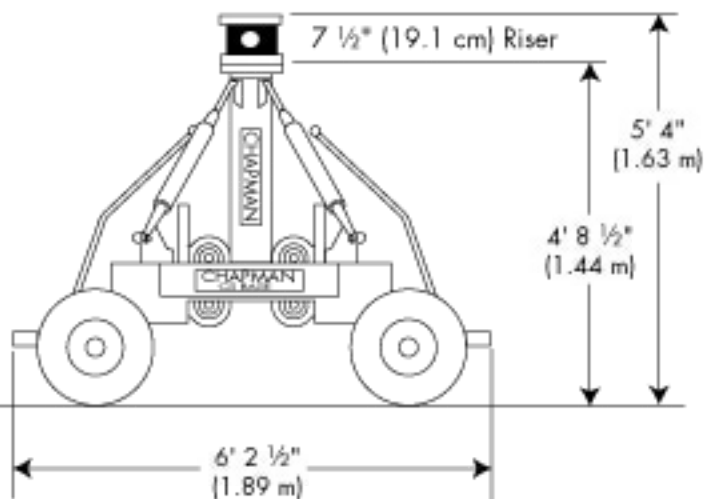
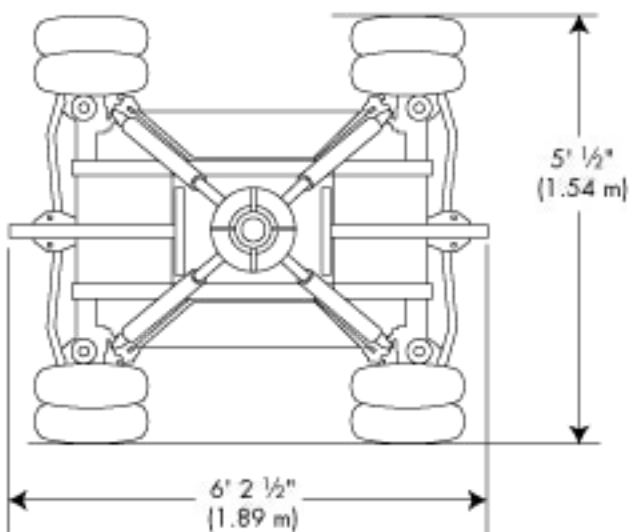
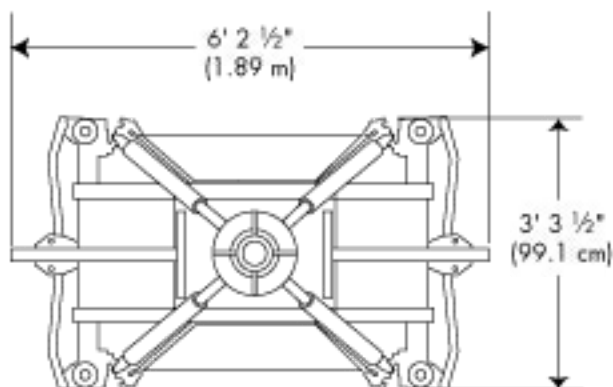


Maximum Payload = 5,500 lb (2,495 kg)
 Built-In Track Wheel Width = 34 5/8" (880mm) Center to Center
 Carrying Weight of Chassis = 310 lb (141 kg)
 Carrying Weight of Center Post = 78 lb (35 kg)
 Standard Unit Weight (without Payload) = 681 lb (309 kg)



CS Base with Built-In Track Wheels
 Use Castor Wheel Accessory to Position Base Off Track



CS BASE with Knobby Pneumatic Tires (Set of 4)

