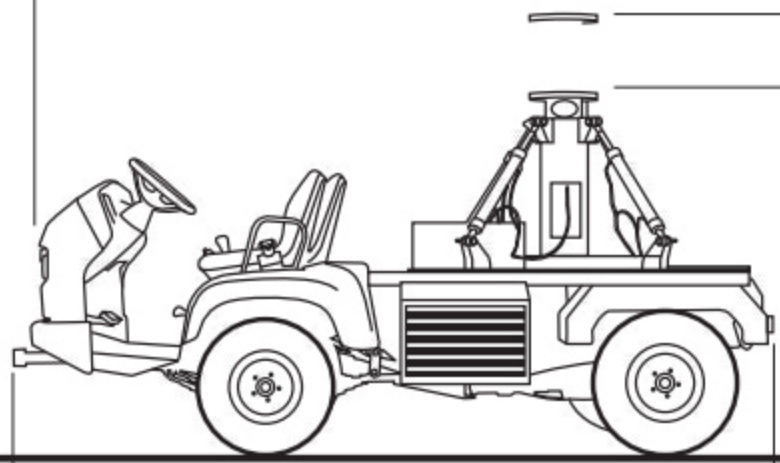
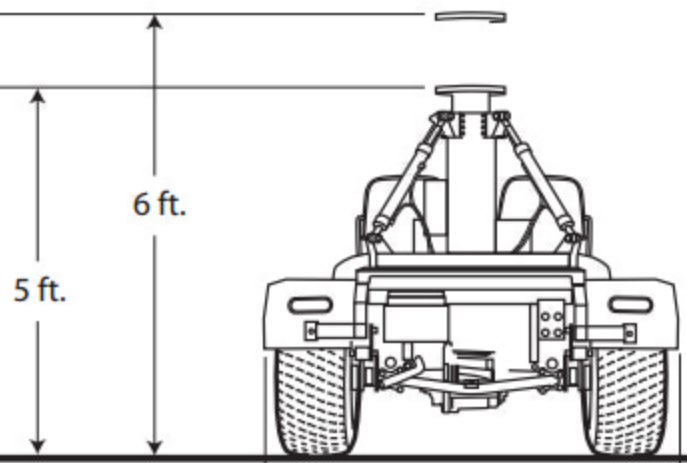


Top View



Side View

10 ft. 5 $\frac{3}{4}$ in.



Rear View

5 ft. 2 $\frac{7}{16}$ in.

6 ft.

5 ft.