

Maximum Payload = 5,500 lb (2,495 kg)

Built-In Track Wheel Width = 34 5/8" (880 mm) Center to Center

Carrying Weight of Chassis = 302 lb (137 kg)

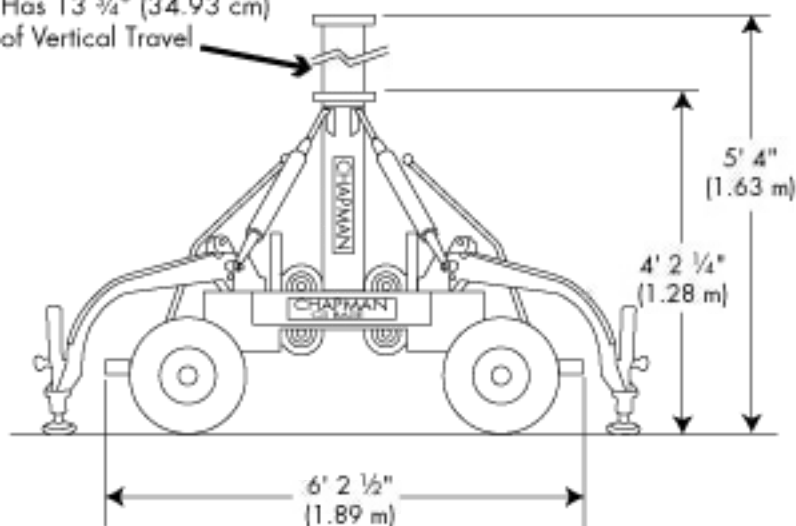
Carrying Weight of Center Post = 471 lb (214 kg)

Standard Unit Weight (without Payload) (without Outriggers) = 773 lb (351 kg)

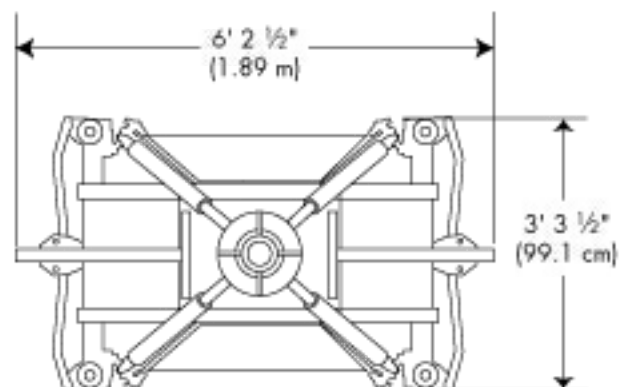
Standard Unit Weight (without Payload) (with Outriggers) = 983 lb (446 kg)

Hydraulic Center Post

Has 13 3/4" (34.93 cm)
of Vertical Travel



CS Base with Built-In Track Wheels
Use Caster Wheel Accessory to Position Base Off Track



CS BASE with Knobby Pneumatic Tires (Set of 4)

